

ES Series Specifications

	Model 1930ES	Model 2030ES	Model 2630ES	Model 2646ES	Model 3246ES
Dimensional Data*					
A. Platform Height – Elevated	5.72 m (18 ft. 9 in.)	6.10 m (20 ft.)	7.75 m (25 ft. 5 in.)	7.92 m (26 ft.)	9.68 m (31 ft. 9 in.)
B. Platform Height – Lowered	0.86 m (2 ft. 10 in.)	1.10 m (3 ft. 7.5 in.)	1.23 m (4 ft. 0.5 in.)	1.26 m (4 ft. 1.5 in.)	1.26 m (4 ft. 1.5 in.)
C. Platform Railing Height	1.10 m (3 ft. 7.5 in.)	1.10 m (3 ft. 7.5 in.)	1.10 m (3 ft. 7.5 in.)	1.10 m (3 ft. 7.5 in.)	1.10 m (3 ft. 7.5 in.)
Overall Height	1.98 m (6 ft. 5 in.)	2.20 m (7 ft. 3 in.)	2.20 m (7 ft. 3 in.)	2.33 m (7 ft. 8 in.)	2.33 m (7 ft. 8 in.)
D. Stowed Height (Rails Folded)	n/a	1.81 m (5 ft. 11.5 in.)	1.94 m (6 ft. 4.5 in.)	1.94 m (6 ft. 4.5 in.)	1.94 m (6 ft. 4.5 in.)
E. Platform Dimensions	0.76 m x 1.87 m (2 ft. 6 in. x 6 ft. 1.5 in.)	0.76 m x 2.30 m (2 ft. 6 in. x 7 ft. 6.5 in.)	0.76 m x 2.30 m (2 ft. 6 in. x 7 ft. 6.5 in.)	1.12 m x 2.50 m (3 ft. 8 in. x 8 ft. 2.5 in.)	1.12 m x 2.50 m (3 ft. 8 in. x 8 ft. 2.5 in.)
F. Platform Extension	0.90 m (2 ft. 11.5 in.)	0.90 m (2 ft. 11.5 in.)	0.90 m (2 ft. 11.5 in.)	1.27 m (4 ft. 2 in.)	1.27 m (4 ft. 2 in.)
G. Overall Machine Width	0.76 m (30 in.)	0.76 m (30 in.)	0.76 m (30 in.)	1.17 m (46 in.)	1.17 m (46 in.)
H. Overall Machine Length	1.87 m (6 ft. 1.5 in.)	2.30 m (7 ft. 6.5 in.)	2.30 m (7 ft. 6.5 in.)	2.50 m (8 ft. 2.5 in.)	2.50 m (8 ft. 2.5 in.)
I. Wheelbase	1.60 m (5 ft. 3 in.)	1.88 m (6 ft. 2 in.)	1.88 m (6 ft. 2 in.)	2.09 m (6 ft. 10.5 in.)	2.09 m (6 ft. 10.5 in.)
J. Ground Clearance	0.09 m (3.5 in.)	0.09 m (3.5 in.)	0.09 m (3.5 in.)	0.14 m (5.5 in.)	0.14 m (5.5 in.)
Tyre Size, (Non-Marking Solid)	0.31 m x 0.10 m (12.5 in. x 4 in.)	0.40 m x 0.12 m (16 in. x 5 in.)	0.40 m x 0.12 m (16 in. x 5 in.)	0.40 m x 0.12 m (16 in. x 5 in.)	0.40 m x 0.12 m (16 in. x 5 in.)

Performance Data					
Max. Platform Capacity	230 kg (500 lbs.)	360 kg (800 lbs.)	230 kg (500 lbs.)	450 kg (1,000 lbs.)	320 kg (700 lbs.)
– Capacity On Deck Extension	120 kg (250 lbs.)	120 kg (250 lbs.)	120 kg (250 lbs.)	120 kg (250 lbs.)	120 kg (250 lbs.)
Lift/Lower Time	22/28 seconds	30/30 seconds	40/40 seconds	40/40 seconds	50/50 seconds
Maximum Drive Height	5.72 m (18 ft. 9 in.)	6.10 m (20 ft.)	7.75 m (25 ft. 5 in.)	7.92 m (26 ft.)	9.68 m (31 ft. 9 in.)
Drive Speed, Lowered	4.8 km/h (3.0 mph)	4.4 km/h (2.75 mph)	4.4 km/h (2.75 mph)	4.0 km/h (2.5 mph)	4.0 km/h (2.5 mph)
Drive Speed, Elevated	0.8 km/h (0.5 mph)	0.8 km/h (0.5 mph)	0.8 km/h (0.5 mph)	0.8 km/h (0.5 mph)	0.8 km/h (0.5 mph)
Gradeability	25%	25%	25%	25%	25%
Turning Radius (Inside)	0	0	0	0	0
Turning Radius (Outside)	1.75 m (5 ft. 9 in.)	2.06 m (6 ft. 9 in.)	2.06 m (6 ft. 9 in.)	2.41 m (7 ft. 11 in.)	2.41 m (7 ft. 11 in.)

Power System/Chassis					
Batteries	4 x 6V, 220 amp-hr	4 x 6V, 220 amp-hr	4 x 6V, 220 amp-hr [†]	4 x 6V, 220 amp-hr [†]	4 x 6V, 220 amp-hr [†]
Charger	20 Amp Automatic (120V/240V–50/60HZ)	20 Amp Automatic (120V/240V–50/60HZ)	20 Amp Automatic (120V/240V–50/60HZ)	20 Amp Automatic (120V/240V–50/60HZ)	20 Amp Automatic (120V/240V–50/60HZ)
Pump	Fixed Clearance Gear	Fixed Clearance Gear	Fixed Clearance Gear	Pressure Balanced Gear	Pressure Balanced Gear
Hydraulic Reservoir	3.6 L (0.95 gal.)	4.73 L (1.25 gal.)	4.73 L (1.25 gal.)	7.1 L (1.9 gal.)	7.1 L (1.9 gal.)
Brakes (On Drive Wheels)	Electric, Auto Friction	Electric, Auto Friction	Electric, Auto Friction	Electric, Auto Friction	Electric, Auto Friction
Gross Vehicle Weight	1,565 kg (3,450 lbs.)	2,020 kg (4,450 lbs.)	2,155 kg (4,750 lbs.)	2,550 kg (5,620 lbs.)	2,725 kg (6,000 lbs.)
Rail Type	Fixed	Fold Down	Fold Down	Fold Down	Fold Down
Drive	6 kW (8 hp)	6 kW (8 hp)	6 kW (8 hp)	6 kW (8 hp)	6 kW (8 hp)

*Certain weights and dimensions may vary due to options and to compliance with country standards.

[†] Optional 4x6V, 245 amp-hr

Standard Features

0.90 m roll-out deck extension¹, 1.27 m roll-out deck extension², Removable platform console box, Lanyard attach points, Proportional drive speed control with thumb steer, Proportional lift/lower speed control, Joystick enable for drive and lift, 4 x 6V 220 A/hr deep cycle batteries, Automatic positive traction, Programmable "Personality" settings, On-board self-diagnostic testing, Slide-out battery/electrical compartment doors, 20 amp automatic SCR battery charger, Dual front wheel drive, Dual wheel brakes, Pothole protection system, AC cable to platform, Battery condition indicator, Hour meter, Fold down handrails³, Self-closing gate, Drywall gate, 450kg capacity⁴, Lubrication free scissor arm bushings, Scissor maintenance prop, Manual descent pull cable, Horn,

Non-marking solid tyres, Load Sensing System, Variable slope alarm and light, Tilt indicator, Tie down lugs, Fork lift pockets.

Available Options

Platform work-lights, 245 Amp-hour batteries in lieu of 220 Amp-hour batteries³, Lifting lugs, Travel alarm, All Motion Alarm, Descent alarm, Flashing amber beacon Alarm package⁵

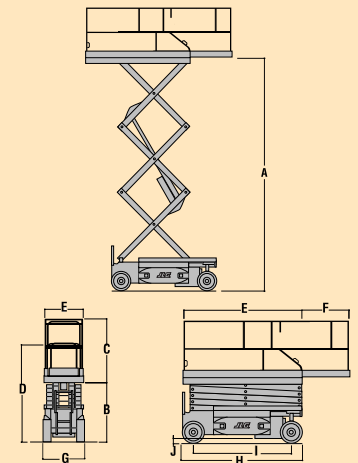
¹ Available on Models 1930ES, 2030ES and 2630ES only.

² Available on Models 2646ES and 3246ES only.

³ Not available on Model 1930ES

⁴ Available on Model 2646ES only

⁵ Includes 2 degree slope alarm and light, amber beacon, and all motion alarm.



The JLG "1 & 5" Warranty

JLG Industries, Inc. backs our products with our exclusive "1 & 5" Warranty. We provide coverage on all products for one (1) full year, and cover all specified major structural components for five (5) years. Due to continuous product improvements, we reserve the right to make specification and/or equipment changes without prior notification.

This machine meets or exceeds applicable ANSI A92.6-1999, CAN3-B354.2-M82 and OSHA regulations in 29 CFR 1910.67 and 29 CFR 1926.453 as originally manufactured for intended applications.

